



Model	Output Current	Input Current	Input Power	Output Power Range	PF	Efficiency	Output Voltage	No load Voltage
CC15W300 Triac	300mA	0.12A	20W	10.8-15W	0.92	82%	36-50V	65V
CC15W350 Triac	350mA	0.12A	20W	9.45-14.7W	0.92	82%	27-42V	55V
CC15W400 Triac	400mA	0.12A	20W	10.8-15.6W	0.92	82%	27-39V	55V
CC15W450 Triac	450mA	0.12A	20W	8.55-13.5W	0.92	82%	19-30V	45V
CC15W500 Triac	500mA	0.12A	20W	9.5-15W	0.92	82%	19-30V	45V
CC15W550 Triac	550mA	0.12A	20W	10.45-15.4W	0.92	82%	19-28V	40V
CC15W600 Triac	600mA	0.12A	20W	7.8-12.6W	0.92	80%	13-21V	35V
CC15W650 Triac	650mA	0.12A	20W	8.45-13.65W	0.92	80%	13-21V	35V
CC15W700 Triac	700mA	0.12A	20W	9.1-14.7W	0.92	80%	13-21V	35V

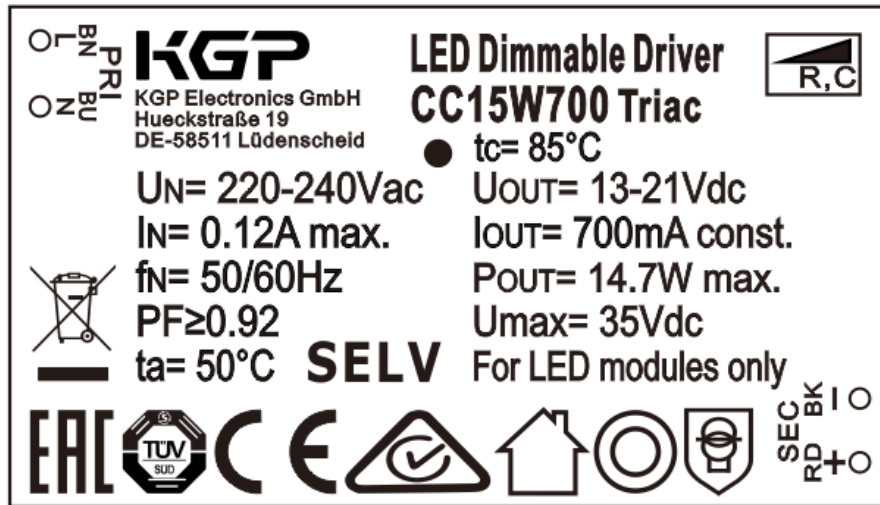
* Test result @230V, 50Hz, Full Load.

1. Parameters

category	Item	Technical Norm
Features	Output Type	Constant Current
	Dimming Type	Phase dimming
	Dimming Range	5%-100%
	IP Grade	IP44
	Insulation Class	Class II
Input	Rated Input Voltage	220-240VAC
	Range of Input Voltage	198-264VAC
	Frequency	50/60Hz
	Input Current	≤0.12A (198VAC, full load)
	Input Power	≤ 20W (230VAC, full load)
	Power Factor	≥0.92 (230VAC, full load)
	No-load Power Consumption	≤0.5W @230VAC
	Inrush Current	≤12A/400us (230VAC, Full-load)
	Connected quantity of 16A Breaker	26pcs/type B ; 42pcs/type C @ 230Vac
Output	Current Accuracy	± 5%
	Max. Output Power	15.6W

	Started Delay Time	≤0.5S (230VAC, full load)
	Current Ripple	±5% ((Imax-Imin) / (Imax+Imin))
Protection	Short Circuit Protection	Auto Recovery
	Overload Protection	Auto Recovery
	No-load Protection	Auto Recovery
	Insulation voltage	I/P to O/P , 3.75KVac/1min
	Insulation resistance	>100M ohm @ 500VDC
	Leakage current	I/P to O/P < 250 μ A
Environment	Ta/Operation Temperature	-20....+50°C
	Ts/Storage Temperature	-25....+85°C
	Tc/Enclosure Temperature	85°C
	Humidity	10%....90%RH
	Atmosphere	86-108KPa
Construction	Connection Method	Direct Lead
	Installation	Build-in
	PRI Wire preparation	0.5-1.5□
	SEC Wire preparation	0.5-1.5□
	Dimension	68.2*36*23mm (L*W*H)
Standards	Certification	TUV、CE、SAA
	Safety Standards	EN61347-1:2015,EN61347-2-13:2014/A1:2017, EN62493:2015, AS/NZS IEC61347.2.13:2013, AS/NZS 61347.1:2016
	EMC Standards	EN55015:2013/A1:2015,EN61000-3-2:2014,EN61000-3-3:2013,EN61547:2009
	Performance	EN62384
	Surge	L-N/ 1KV
Others	RoHS	complied to 2011/65/EU
	Life Time	50000h @50°C (Ta) / @85°C (Tc)
	Warranty	5years , F.R. < 10000ppm
Remark 1. All Parameters, if not specified, are measured at 230VAC/50Hz and 25°C ambient temperature. 2. LED Driver is a component of the luminaires. Luminaires and wire layout will affect the EMC, please check the EMC with end products again.		

2. Label (For example)

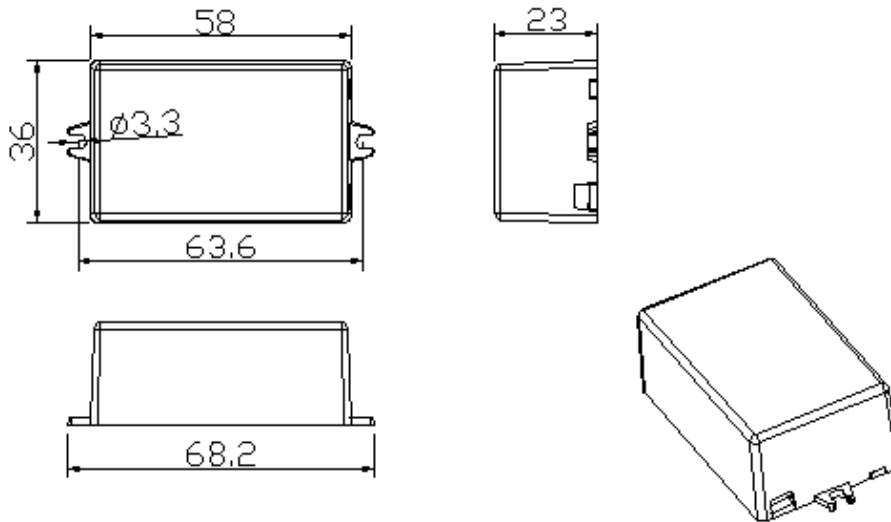


3. Trailing Edge Dimmer list approved by KGP

Manufacturer	Model	Q'ty of parallel connection
ABB	6519 U	15
ABB	6526 U	13
JUNG	1224 LED UDE	14
Berker	2861	10
JUNG	254 UDIE 1	10
JUNG	225 TDE	14
EGANT	U321V2	15
Schneider	SBD200LED	13
Schneider	SBD315RC	14
Merten	SBD200LED	13
Berker	2874	12
Eetako	EUD61NPL-230V	12

Leading Edge Dimmer list only on request -/ or confirmed by KGP Electronics

4. Dimension (Unit: mm)



5. Packing information

Carton L*W*H(mm)	Pcs/Carton	Net weight/ Pcs(kg)	Net weight/ Carton(kg)	Gross weight / Carton(kg)
450*240*200	270	0.08	21.6	22.4

6. Wiring Diagram

